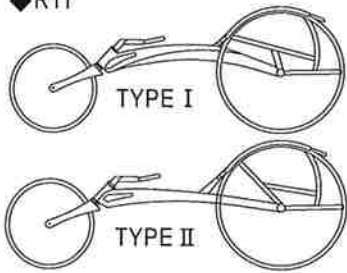


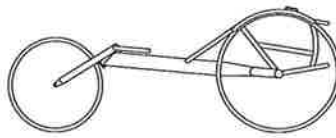
OX // GPX RACING CHAIR ORDERING GUIDE

A TYPE

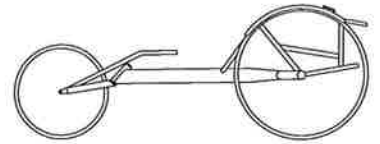
◆R11



◆SR

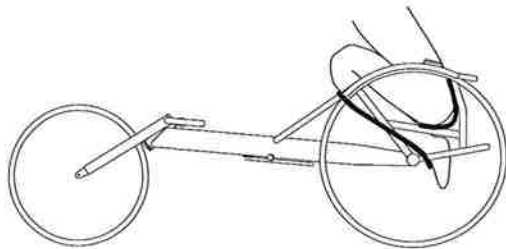


◆LR



B POSITION

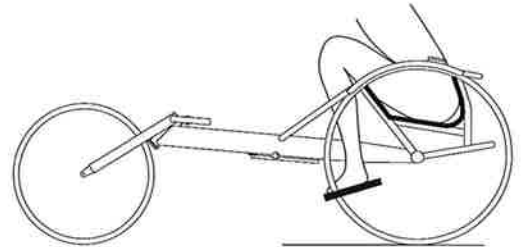
◆KNEEL POSITION



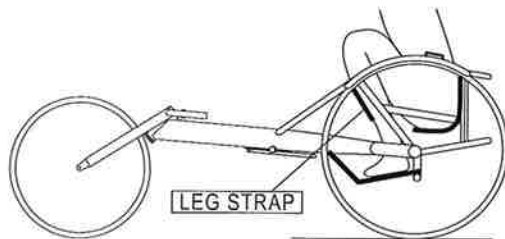
With Foot Support Strap, Kneel Position is available to Foot Position 1.



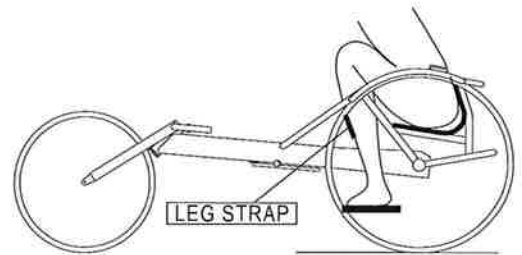
◆FOOT POSITION①



◆T3 POSITION

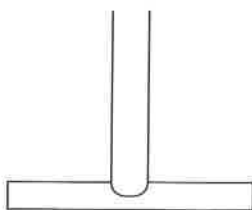


◆FOOT POSITION②

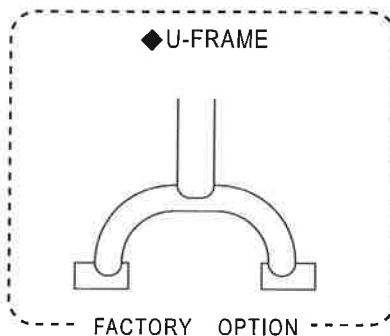


C FRAME

◆T-FRAME



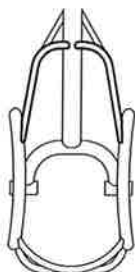
◆U-FRAME



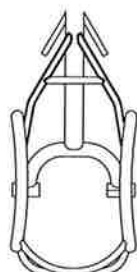
FACTORY OPTION

D CAGE

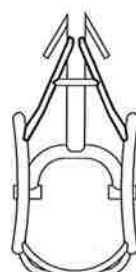
◆U-CAGE



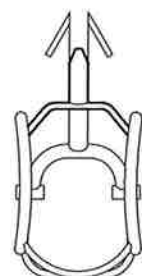
◆OPEN V-CAGE



◆V-CAGE



◆Y-CAGE



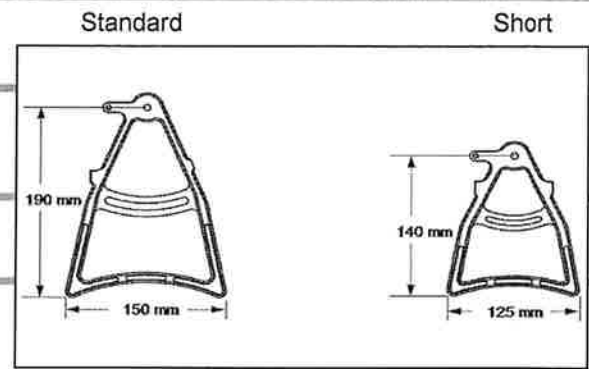
Track Steering Lever Size

E TRACK STEERING LEVER
 ◆ UPPER ◆ LOWER

F BRAKE LEVER
 ◆ RIGHT ◆ LEFT

G FRONT WHEEL (inches)
 ◆ 18" ◆ 20"

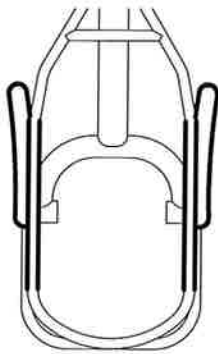
H REAR WHEELS (inches)
 ◆ 26" ◆ 27"



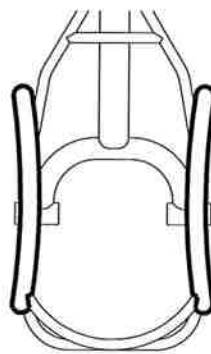
I WHEEL CAMBER (degrees)
 ◆ 11 ◆ 12 ◆ 13 ◆ 14 ◆ 15

J HAND RIM DIAMETER (mm)
 ◆ 360 ◆ 370 ◆ 380 ◆ 390 ◆ 400

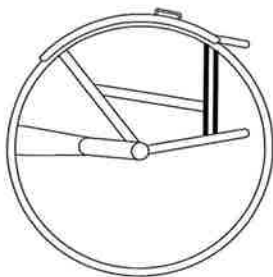
K FENDERS
 ◆ SEPARATE



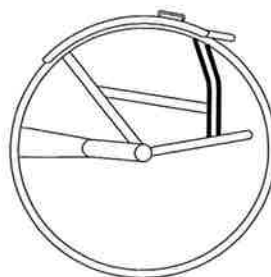
◆ UNITY



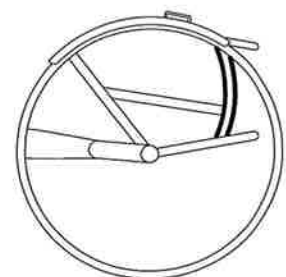
L BACK SUPPORT
 ◆ STRAIGHT



◆ BEND

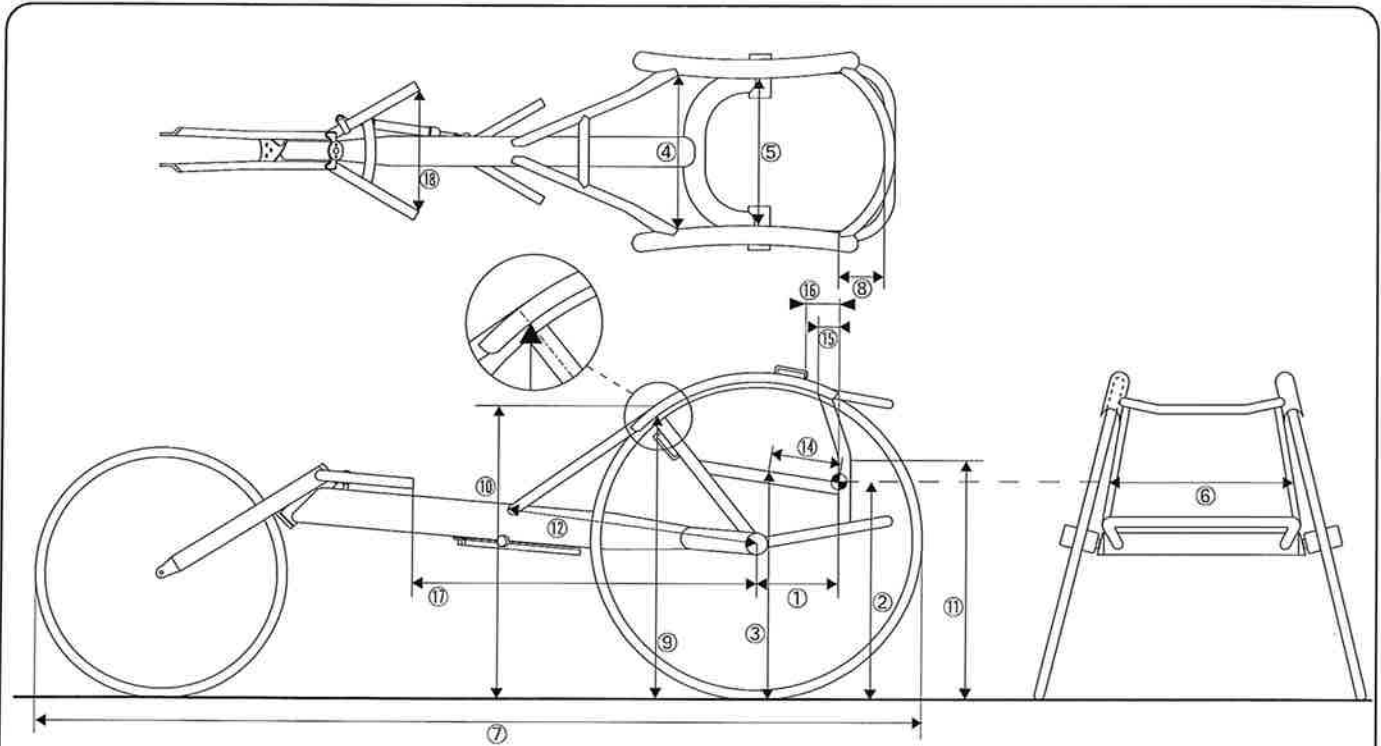


◆ ARC



M FRAME COLOR
 ◆ NO PAINTING (standard)

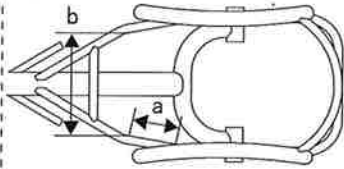
◆ CUSTOM PAINTING (option)
 One Color, Two Colors, Three Colors



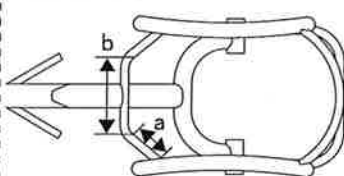
- Reference Point
- ① Axle Position
- ② Seat Height - Rear
- ③ Seat Height - Front
- ④ Knee Width
- ⑤ Chest Width
- ⑥ Hip Width
- ⑦ Overall Length (R10TYPE I : 1700 - 1850 mm)
- ⑧ Back Space Measurement
- ⑨ Knee Tube Height
- ⑩ Cage Tube Height
- ⑪ Back Bend Point Height ("Back Support: Bend" only)
- ⑫ Cage Length
- ⑬ Cage Measurements (a, b) ("Cage: Open V-Cage or Y-Cage" only)
- ⑭ Seat Depth (Forward end of Seat Sling from Reference Point)
- ⑮ Back Support Tube Position ("Back Support: Bend or Arc" only)
- ⑯ Chest Strap Hook Position
- ⑰ Handle Bars Length
- ⑱ Handle Bars Width
- ⑲ Tube Space ("Frame: U-Frame or T3-Frame" only) (T3-Frame: 100 - 200 mm, R10TYPE I : Maximum 80 mm)

⑬ Cage Measurements

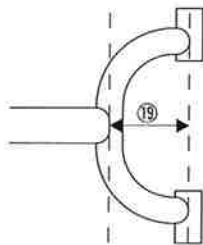
◆ OPEN V-CAGE



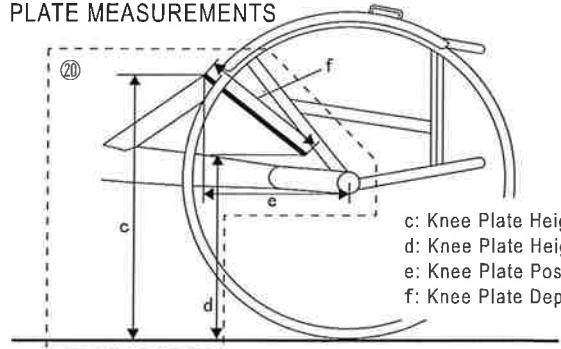
◆ Y-CAGE



◆ U-FRAME



◆ KNEE PLATE MEASUREMENTS



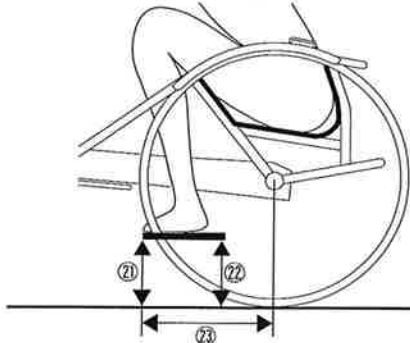
- c: Knee Plate Height - Front
- d: Knee Plate Height - Rear
- e: Knee Plate Position
- f: Knee Plate Depth

◆ TUBE FOOT SUPPORT (FIXED)

◆ T3 POSITION

- ⑳ Foot Plate Height - Front
- ㉑ Foot Plate Height - Rear
- ㉒ Foot Plate Position/Depth
- ㉓ Foot Plate Width

◆ TUBE FOOT SUPPORT (FIXED)



◆ T3 POSITION

